



HOSPITALITY HEAVY-DUTY PLASTIC TOILET SEAT

MODEL #

COLOR #

7650T

DESCRIPTION :

Open front with cover, elongated, heavy-duty, injection molded solid plastic toilet seat. Features four molded-in bumpers, check hinges with non-corrosive 300 Series stainless steel posts and pintles and STA-TITE® Commercial Fastening System™. This seat complies with IAPMO/ANSI Z124.5-2013 Plastic Toilet Seats as a class Commercial Heavy Duty.

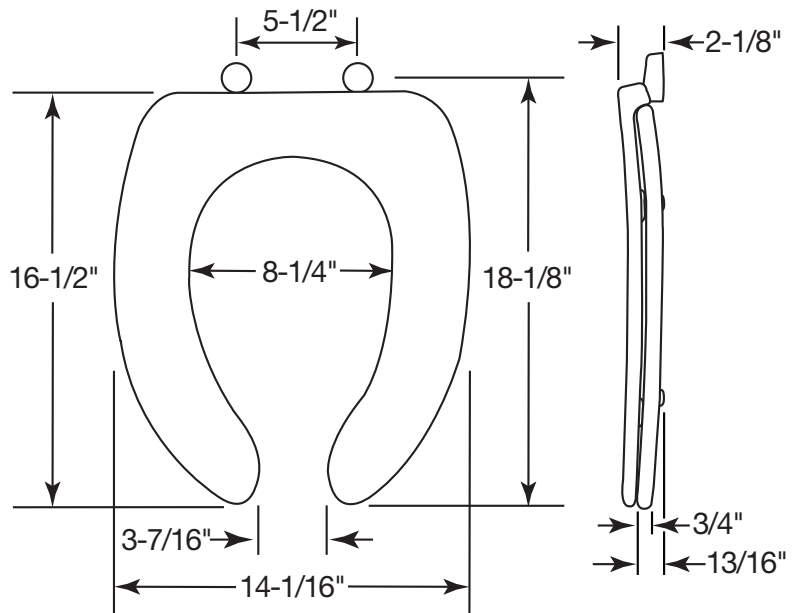
SPECIFICATIONS :

Size:	Elongated
Material:	Plastic
Style:	Open Front with Cover
Bumpers:	Four
Hinges:	Plastic with 300 Series Stainless Steel Posts and Pintles
Fastening System:	STA-TITE® Commercial Fastening System™

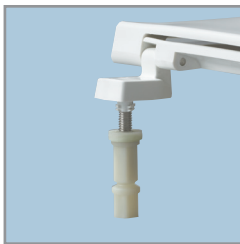
FEATURES :

- STA-TITE® Commercial Fastening System™
- Non-Corrosive 300 Series Stainless Steel Posts and Pintles

DIMENSIONS :



PLASTIC HINGES WITH
STAINLESS STEEL POSTS
AND PINTLES



STA-TITE® COMMERCIAL
FASTENING SYSTEM™

