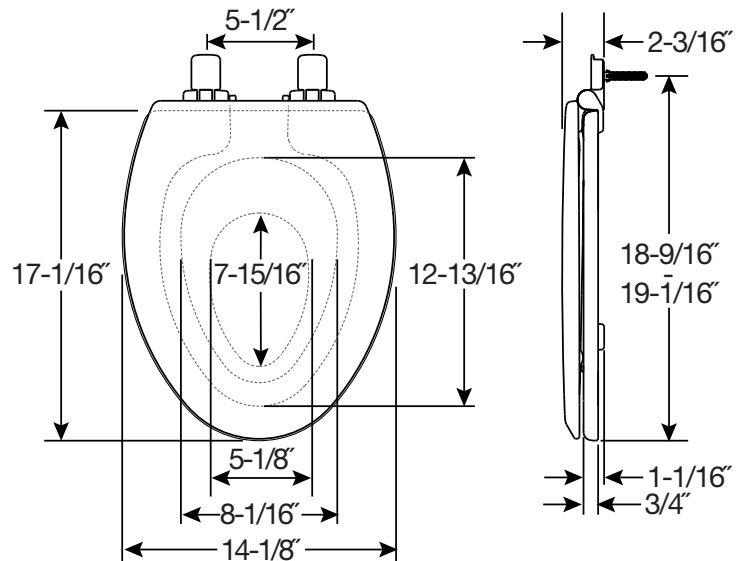




NEXTSTEP2™ 1485E4

RESIDENTIAL ENAMELED WOOD TOILET SEAT



FEATURES:

- **Built-In Potty Seat™**
Secures magnetically in cover when not in use
- **Fits Both Adults and Children**
2-in-1 toilet seat accommodates the needs of both adult and child
- **Plastic Child Seat**
Easily removes for cleaning or when no longer needed
- **STA-TITE® Seat Fastening System™**
Never Loosens™
- **Easy•Clean™**
Quickly removes for easy cleaning
- **Whisper•Close®**
Slowly and quietly closes
- **Precision Seat Fit™**
1/2" front-to-back adjustability provides the perfect bowl fit

SPECIFICATIONS:

- Size:** Elongated
- Material:** Enameled Wood / Plastic
- Style:** Closed Front with Cover
- Ring Bumpers:** Two
- Hinges:** Plastic
- Hardware:** STA-TITE® Seat Fastening System™



Proudly Made in the USA

Eco-Friendly

