



# COMMERCIAL HEAVY-DUTY PLASTIC TOILET SEAT

MODEL #

COLOR #

## 10SSCTFR

### DESCRIPTION :

Open front less cover, elongated, heavy-duty, injection molded solid plastic toilet seat. Features four molded-in bumpers, self-sustaining check hinges with non-corrosive 300 Series stainless steel posts and pintles and STA-TITE® Commercial Fastening System™. Seat contains DuraGuard® Antimicrobial\* Built-In Seat Protection™ and FirePro™ a fire retardant material to meet UL-94VO flammability rating. This seat complies with IAPMO/ANSI Z124.5-2013 Plastic Toilet Seats as a class Commercial Heavy Duty.

\* DuraGuard® Antimicrobial does not protect users against bacteria, viruses, or other disease organisms. Always clean and wash this product thoroughly before and after each use.

### SPECIFICATIONS :

Size:	Elongated
Material:	Plastic
Style:	Open Front less Cover
Bumpers:	Four
Hinges:	Plastic Self-Sustaining with 300 Series Stainless Steel Posts and Pintles
Fastening System:	STA-TITE® Commercial Fastening System™

### FEATURES :

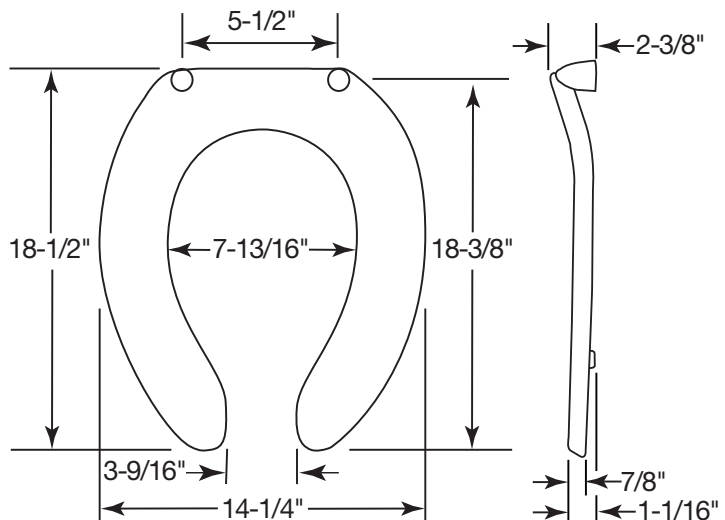
STA-TITE® Commercial Fastening System™

DuraGuard® Antimicrobial Built-In Seat Protection™

FirePro™ Fire Retardant Material

Non-Corrosive 300 Series Stainless Steel Posts and Pintles

### DIMENSIONS :



PLASTIC HINGES WITH  
STAINLESS STEEL POSTS  
AND PINTLES



STA-TITE® COMMERCIAL  
FASTENING SYSTEM™

Proudly Made in the USA

Olsonite, Sheboygan Falls, WI 53085  
www.ToiletSeats.com

Phone: 800-558-7651 Fax: 800-292-3647  
©2014 0B7012324 REV B