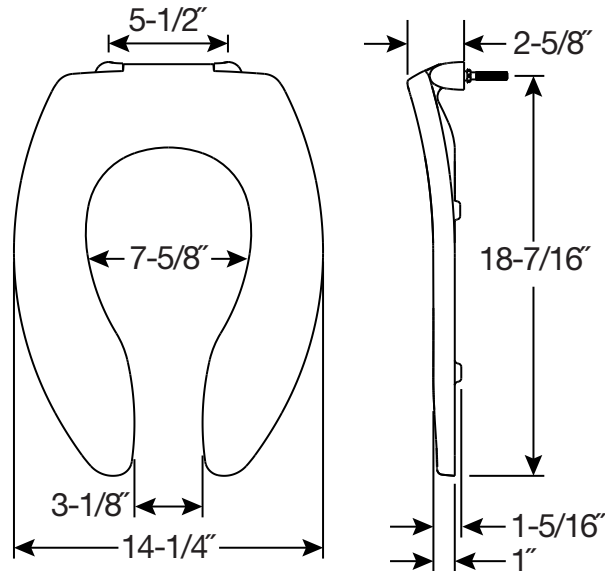


# 3155CT / 3155SSCT

COMMERCIAL EXTRA HEAVY-DUTY  
PLASTIC TOILET SEAT



## FEATURES:

- **STA-TITE® Commercial Fastening System™**  
Eliminates callbacks for loosened seats
- **DuraGuard® Antimicrobial \***  
Built-In Seat Protection™

*\* DuraGuard Antimicrobial does not protect users against bacteria, viruses, or other disease organisms. Always clean and wash this product thoroughly before and after each use.*

## SPECIFICATIONS:

**Size:** Elongated

**Material:** Plastic

**Style:** Open Front less Cover

**Ring Bumpers:** Four

**Hinges:** Plastic Non Self-Sustaining Check Hinges (3155CT) or Self-Sustaining Check Hinges (3155SSCT) with Non-Corroding 300 Series Stainless Steel Posts and Pintles

**Hardware:** STA-TITE® Commercial Fastening System™

**Codes & Standards:**



Complies with  
IAPMO/ANSI Z124.5  
Performance Standards  
Heavy-Duty Commercial



Proudly Made in the USA

Eco-Friendly

