



RESIDENTIAL ALÉSIO II™ HIGH DENSITY™ TOILET SEAT

MODEL #

COLOR #

19170CHSL/NISL

DESCRIPTION:

Closed front with cover, elongated, High Density™ molded wood toilet seat. Features two large, no-slip luxury bumpers, Chrome or Brushed Nickel Whisper•Close® with Easy•Clean & Change® hinges with STA-TITE® Seat Fastening System™.

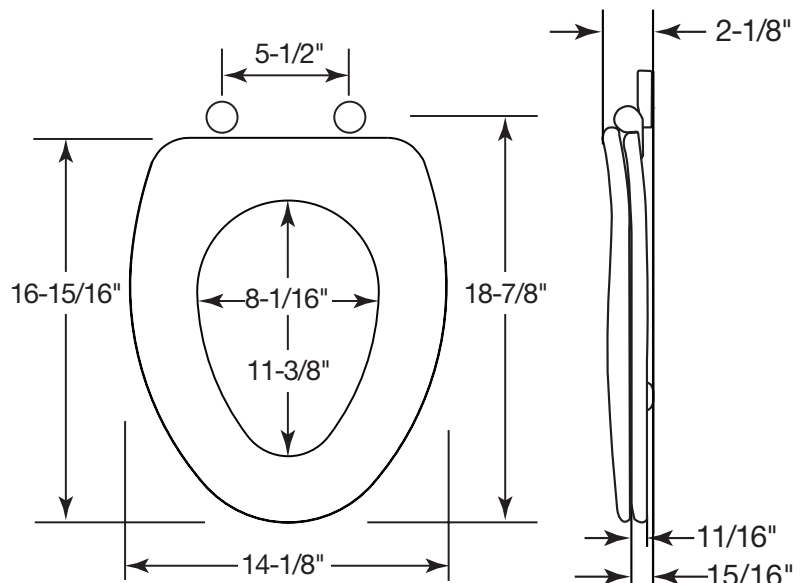
SPECIFICATIONS:

Size:	Elongated
Material:	High Density™ Molded Wood
Style:	Closed Front with Cover
Bumpers:	Two
Hinges:	Chrome or Brushed Nickel Whisper•Close® with Easy•Clean & Change®
Fastening System:	STA-TITE® Seat Fastening System™

FEATURES:

- Whisper•Close®
- Easy•Clean & Change®
- STA-TITE® Seat Fastening System™

DIMENSIONS:



METAL WHISPER•CLOSE®
WITH EASY•CLEAN &
CHANGE® HINGES



WHISPER•CLOSE®
FEATURE



TWIST HINGES TO UNLOCK



EASY REMOVAL OF SEAT
FOR THOROUGH CLEANING



NO-SLIP LUXURY BUMPERS



STA-TITE® SEAT
FASTENING SYSTEM™

Proudly Made in the USA

Bemis Manufacturing Co., Sheboygan Falls, WI 53085
www.ToiletSeats.com

Phone: 800-558-7651 Fax: 800-292-3647