



# COMMERCIAL HEAVY-DUTY PLASTIC TOILET SEAT

MODEL #

COLOR #

## 1955CTJ

### DESCRIPTION :

Open front less cover, elongated, heavy-duty, injection molded solid plastic toilet seat. Features four molded-in bumpers, JUST•LIFT® integrated check hinges with non-corrosive 300 Series stainless steel posts and pintles and STA-TITE® Commercial Fastening System™. This seat complies with IAPMO/ANSI Z124.5-2013 Plastic Toilet Seats as a class Commercial Heavy Duty.

### SPECIFICATIONS :

|                   |  |
|-------------------|--|
| Size:             | Elongated  |
| Material:         | Plastic  |
| Style:            | Open Front less Cover  |
| Bumpers:          | Four   |
| Hinges:           | Plastic JUST•LIFT® with 300 Series Stainless Steel Posts and Pintles |
| Fastening System: | STA-TITE® Commercial Fastening System™                               |

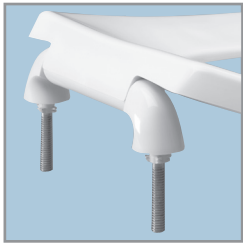
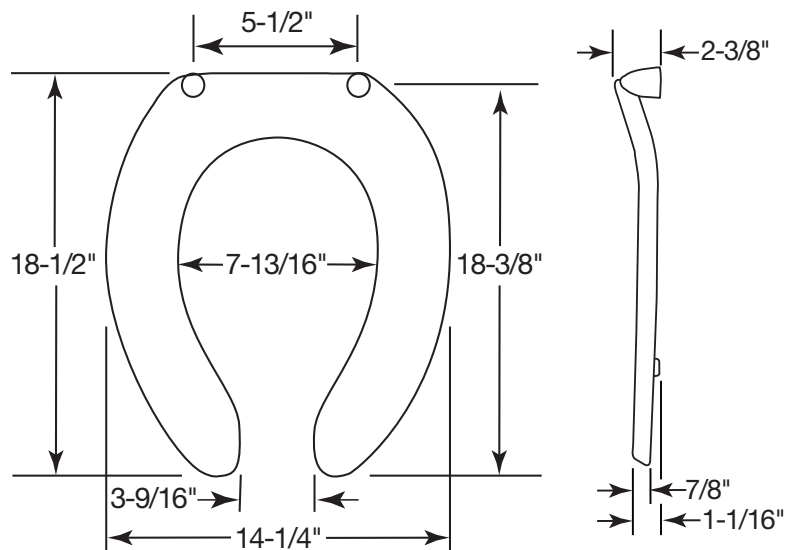
### FEATURES :

JUST•LIFT® Integrated Hinges for Enhanced Cleanability

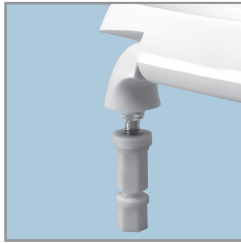
STA-TITE® Commercial Fastening System™

Non-Corrosive 300 Series Stainless Steel Posts and Pintles

### DIMENSIONS :



PLASTIC HINGES WITH STAINLESS STEEL POSTS AND PINTLES



STA-TITE® COMMERCIAL FASTENING SYSTEM™



JUST•LIFT® PROVIDES 1-1/2" OF LIFT HEIGHT FOR ENHANCED CLEANABILITY

Proudly Made in the USA

Bemis Manufacturing Co., Sheboygan Falls, WI 53085  
www.ToiletSeats.com

Phone: 800-558-7651 Fax: 800-292-3647

©2014 0B7012283 REV B