



# COMMERCIAL HEAVY-DUTY PLASTIC TOILET SEAT

MODEL #

COLOR #

**2055CT/2055SSCT** \_\_\_\_\_

## DESCRIPTION:

Open front less cover, round, heavy-duty, injection molded solid plastic toilet seat. Features two molded-in bumpers, non self sustaining (2055CT) or self-sustaining (2055SSCT) check hinges with non-corrosive 300 Series stainless steel posts and pintles and STA-TITE® Commercial Fastening System™. Seat contains DuraGuard® Antimicrobial\* Built-In Seat Protection™. This seat complies with IAPMO/ANSI Z124.5-2013 Plastic Toilet Seats as a class Commercial Heavy Duty.

\* DuraGuard® Antimicrobial does not protect users against bacteria, viruses, or other disease organisms. Always clean and wash this product thoroughly before and after each use.

## SPECIFICATIONS:

Size:	Round
Material:	Plastic
Style:	Open Front less Cover
Bumpers:	Two
Hinges:	Plastic Non Self-Sustaining (2055CT) or Self-Sustaining (2055SSCT) with 300 Series Stainless Steel Posts and Pintles
Fastening System:	STA-TITE® Commercial Fastening System™

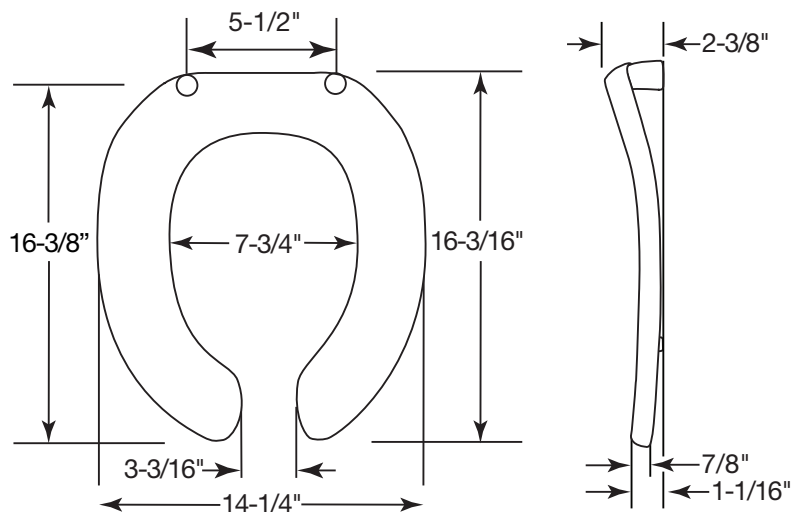
## FEATURES:

STA-TITE® Commercial Fastening System™

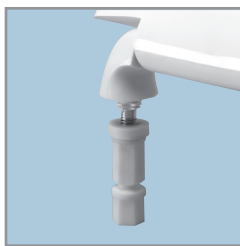
DuraGuard® Antimicrobial Built-In Seat Protection™

Non-Corrosive 300 Series Stainless Steel Posts and Pintles

## DIMENSIONS:



PLASTIC HINGES WITH  
STAINLESS STEEL POSTS  
AND PINTLES



STA-TITE® COMMERCIAL  
FASTENING SYSTEM™

Proudly Made in the USA

Bemis Manufacturing Co., Sheboygan Falls, WI 53085  
www.ToiletSeats.com

Phone: 800-558-7651 Fax: 800-292-3647  
©2014 0B7012297 REV B